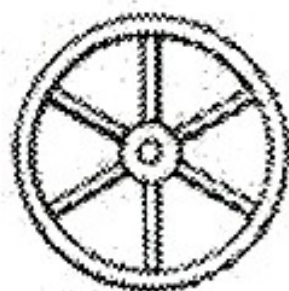


FUNNEL DETAIL



AIR FILTER

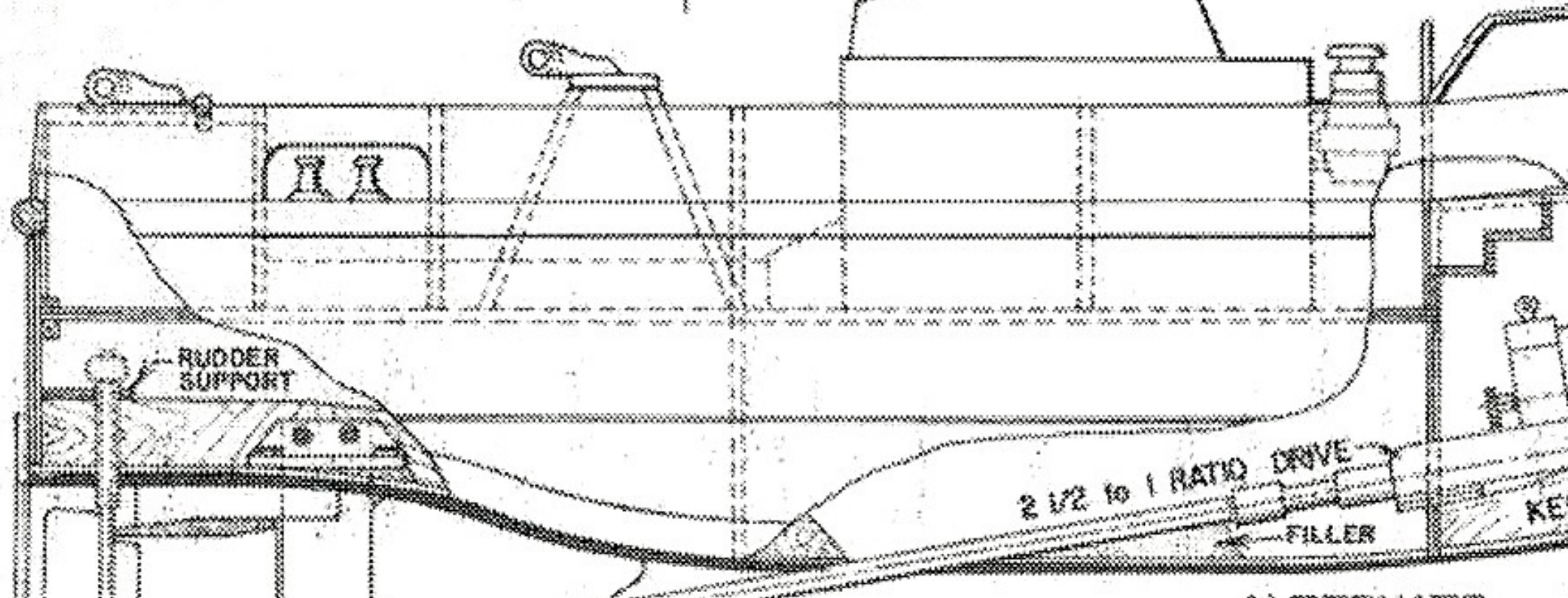
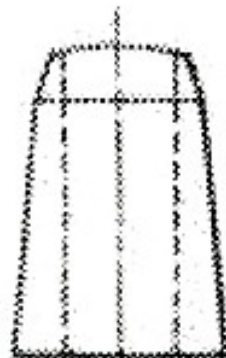
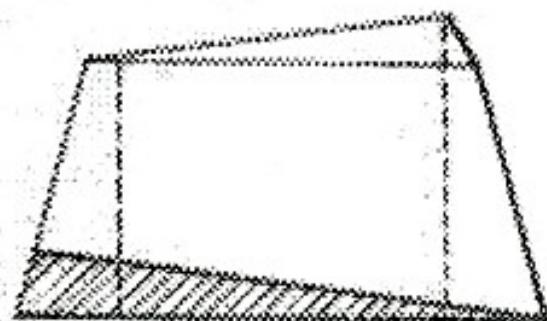


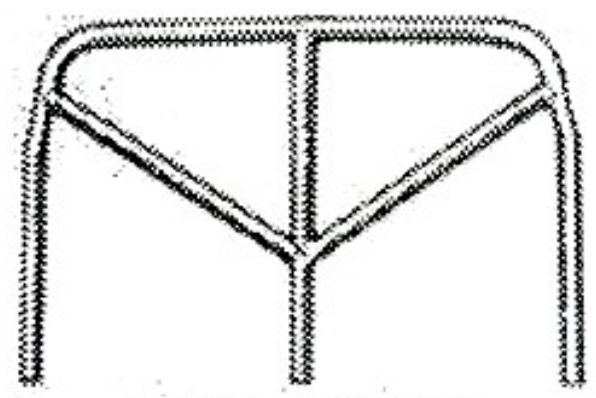
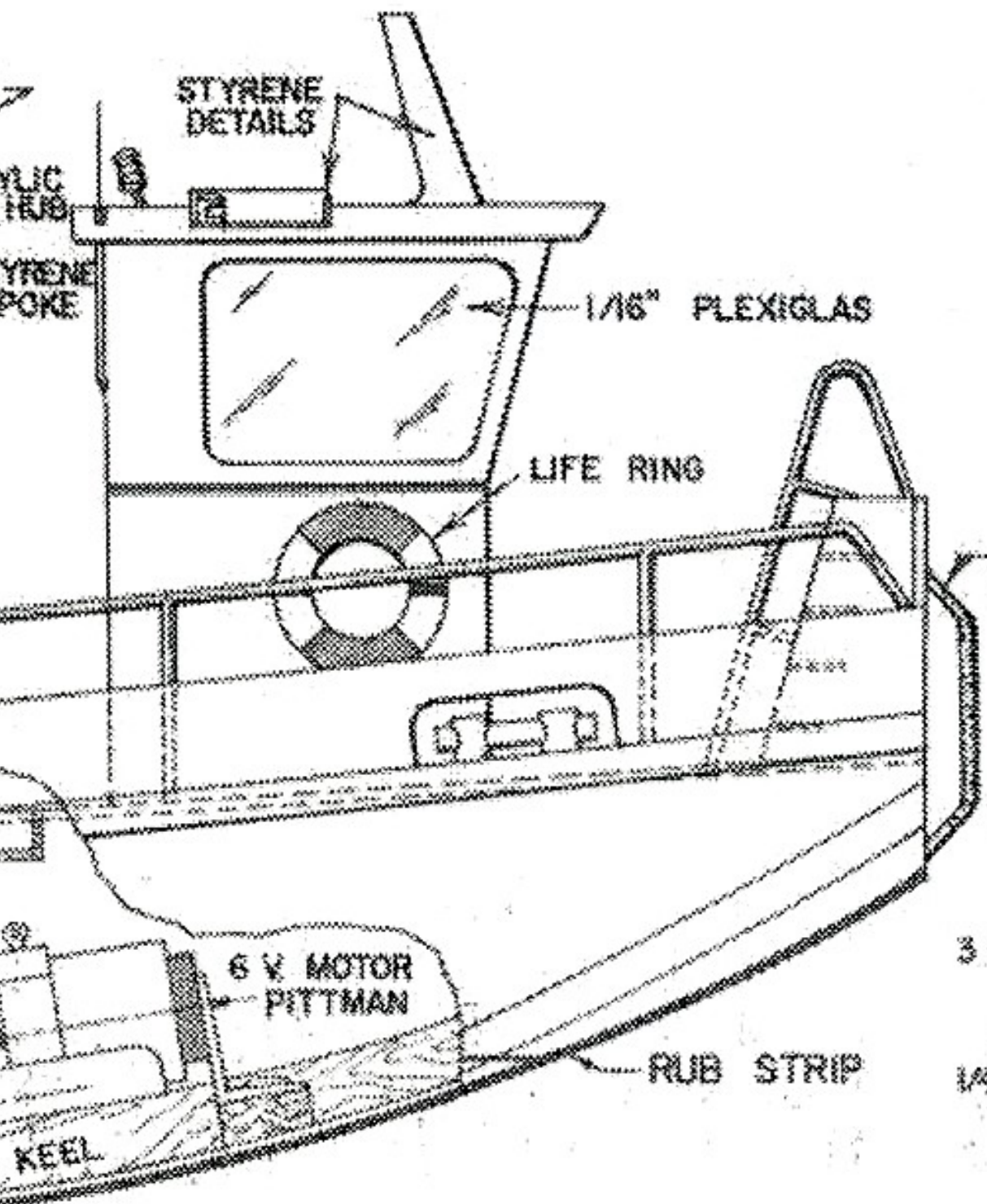
WINCH WHEEL

STYRENE RING

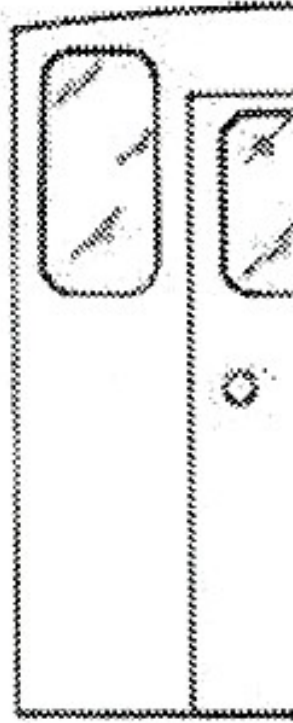
ACRYLIC ROD HEAD

STYRENE SPOK

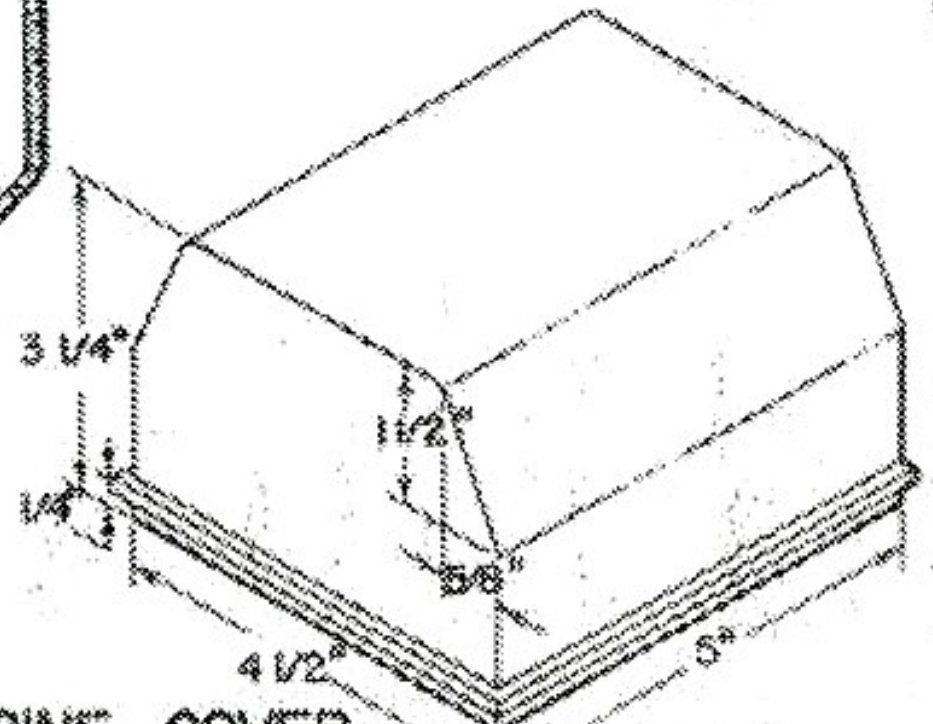




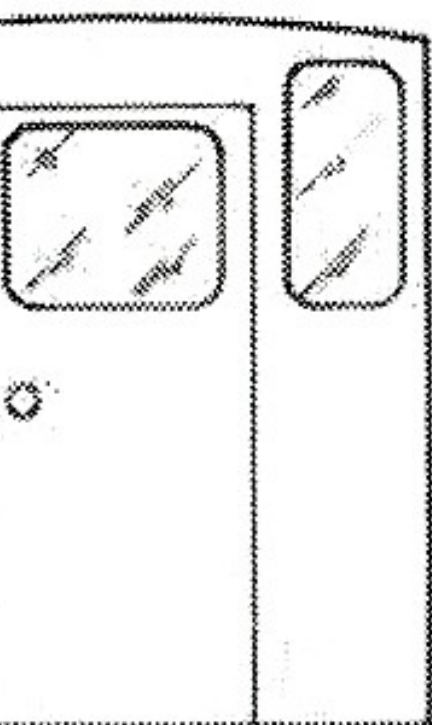
BUMPERS
 RUBBER SERVO
 TAPE



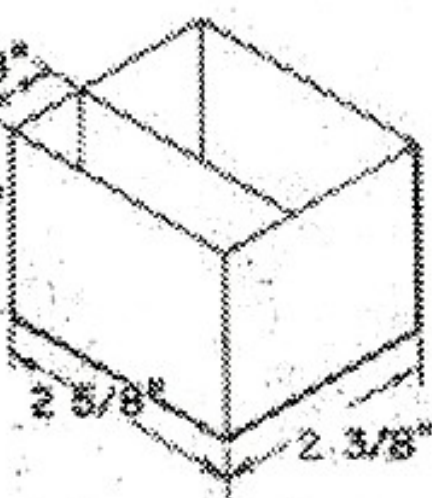
CABIN



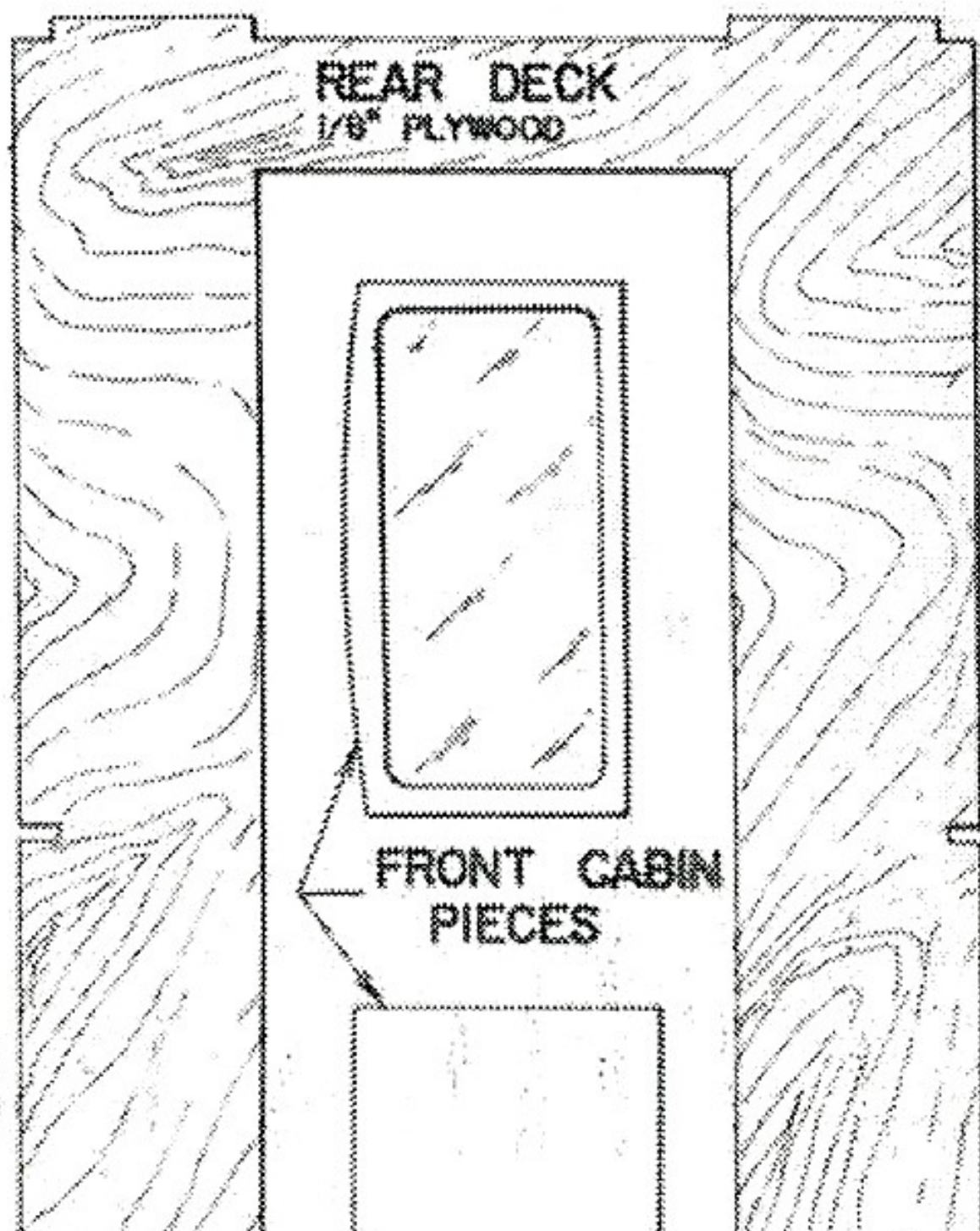
ENGINE COVER



BIN BACK



REAR BOX

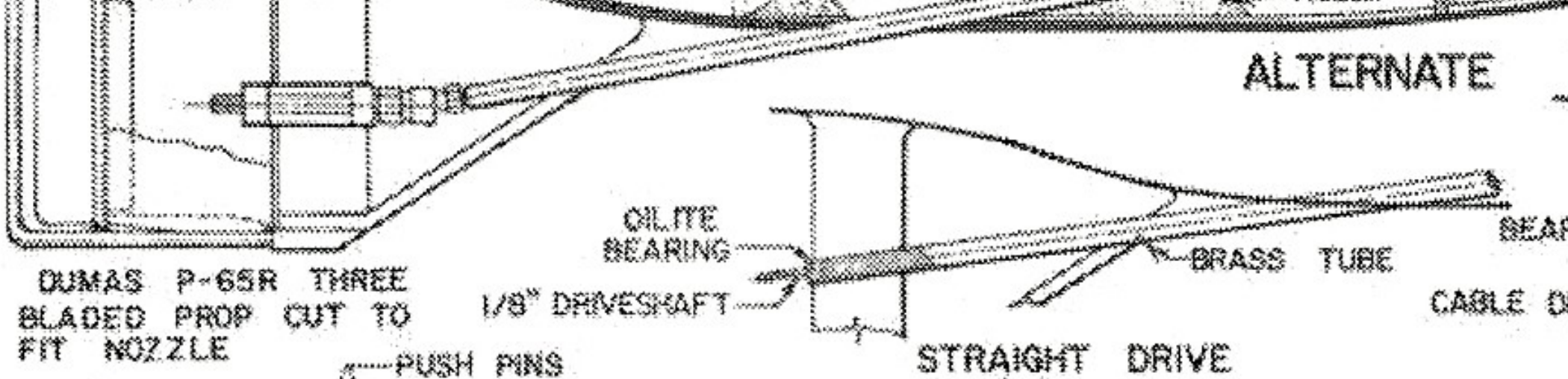


REAR DECK
1/8" PLYWOOD



FRONT CABIN
PIECES

ALTERNATE



DUMAS P-65R THREE
BLADED PROP CUT TO
FIT NOZZLE

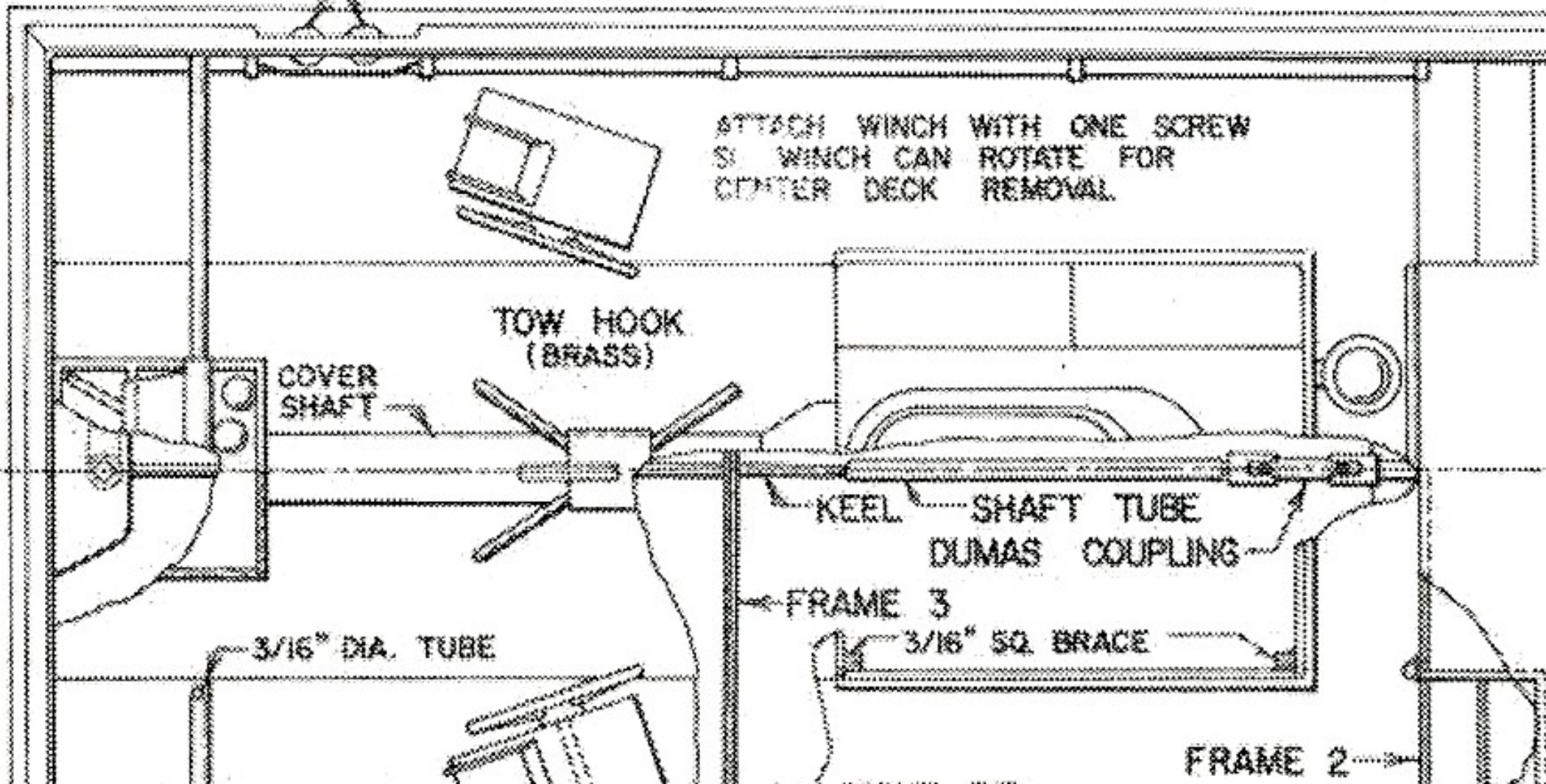
1/8" DRIVESHAFT

BRASS TUBE

BEAR
CABLE OF

PUSH PINS

STRAIGHT DRIVE



ATTACH WINCH WITH ONE SCREW
SO WINCH CAN ROTATE FOR
CENTER DECK REMOVAL

TOW HOOK
(BRASS)

COVER
SHAFT

KEEL — SHAFT TUBE
DUMAS COUPLING

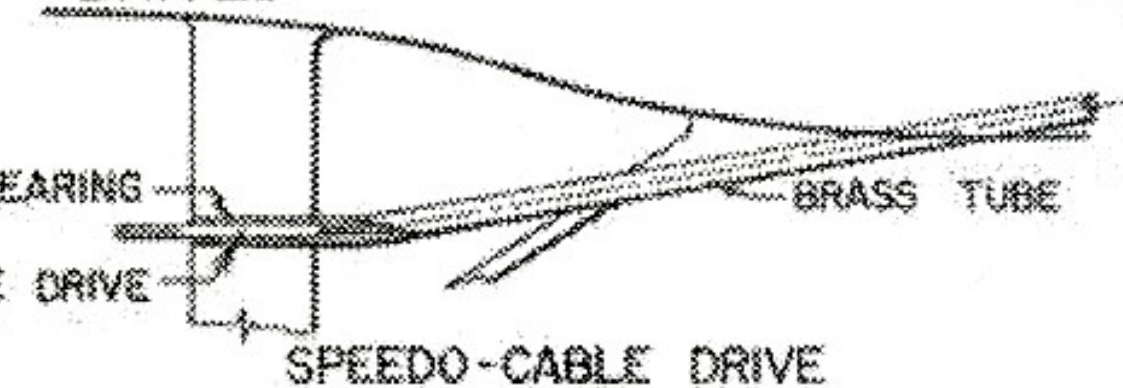
FRAME 3

3/16" SQ BRACE

3/16" DIA. TUBE

FRAME 2

DRIVES

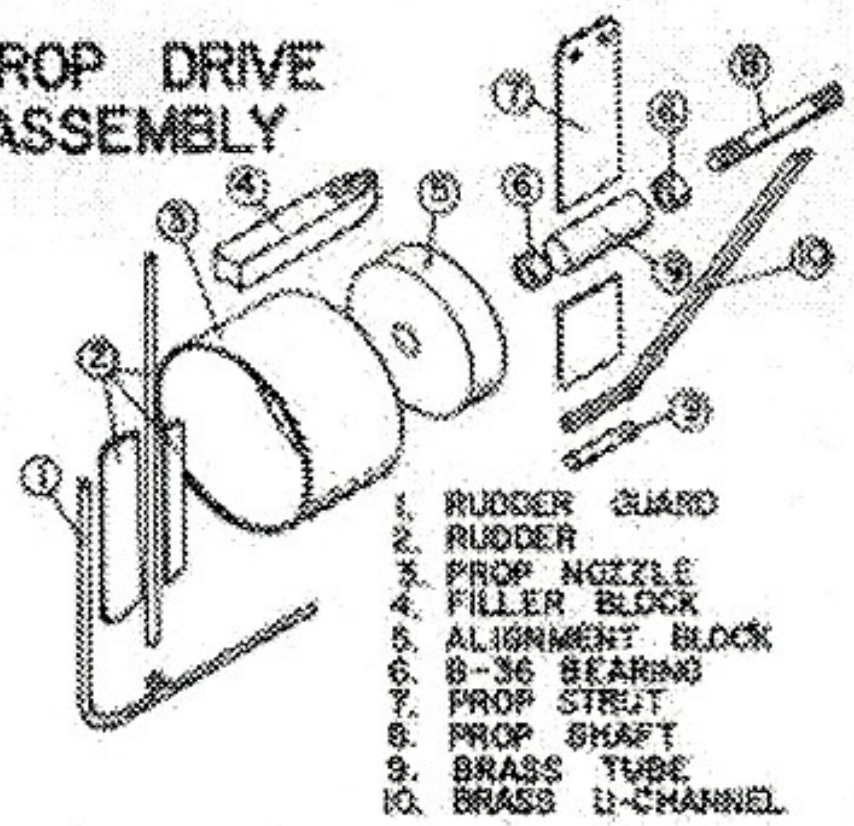


ENGINE COVER

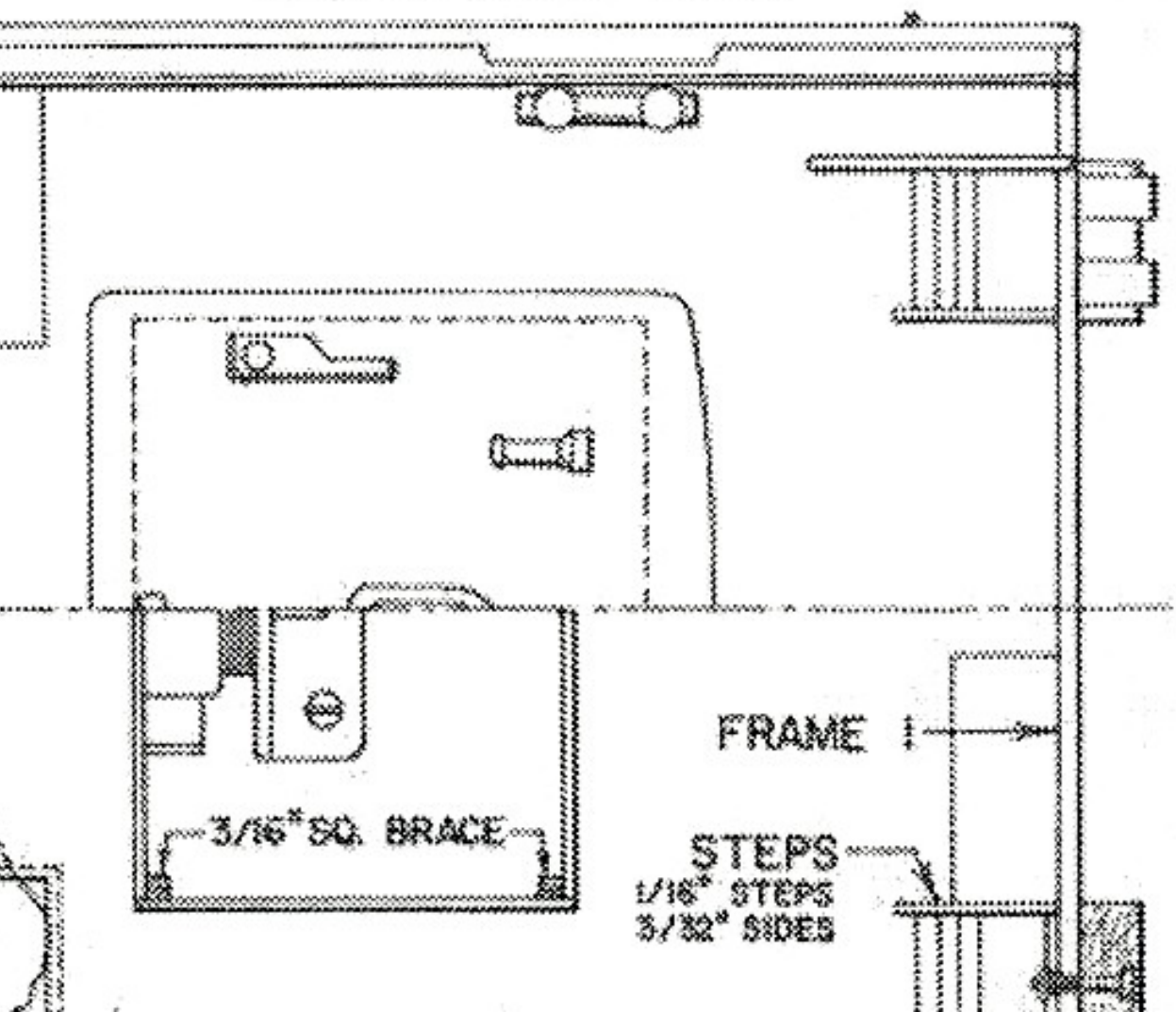
1/8" PLYWOOD



PROP DRIVE ASSEMBLY



1. RUDDER GUARD
2. RUDDER
3. PROP NOZZLE
4. FILLER BLOCK
5. ALIGNMENT BLOCK
6. B-36 BEARING
7. PROP STRUT
8. PROP SHAFT
9. BRASS TUBE
10. BRASS U-CHANNEL



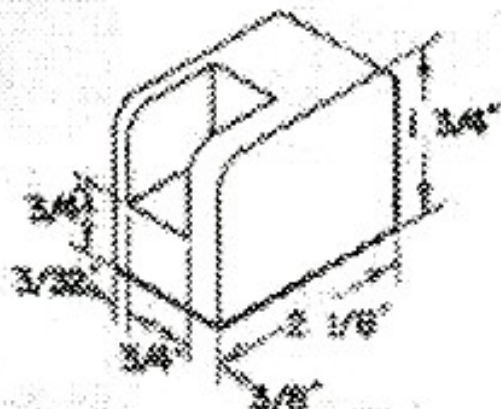
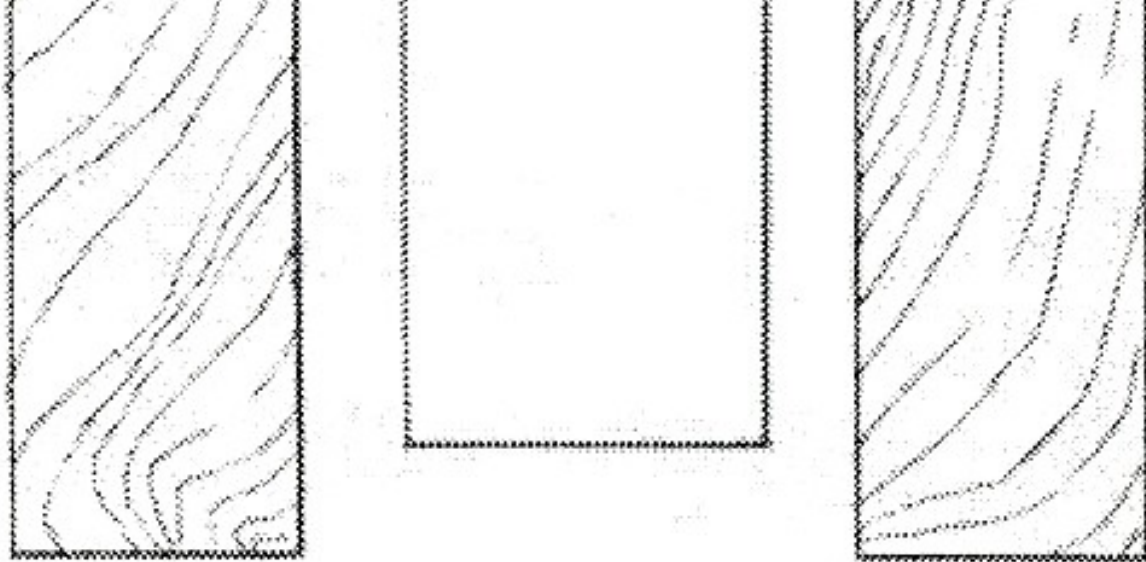
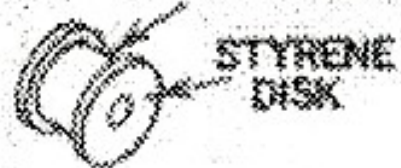
TRANSOM

1/16" TOP SIDES

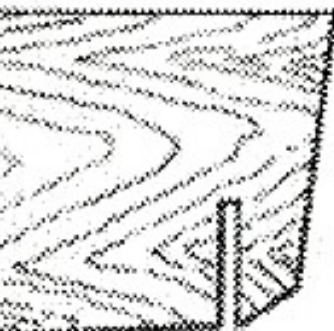
TYPICAL SECTION VIEW

REAR BOX
1/8" PLYWOOD

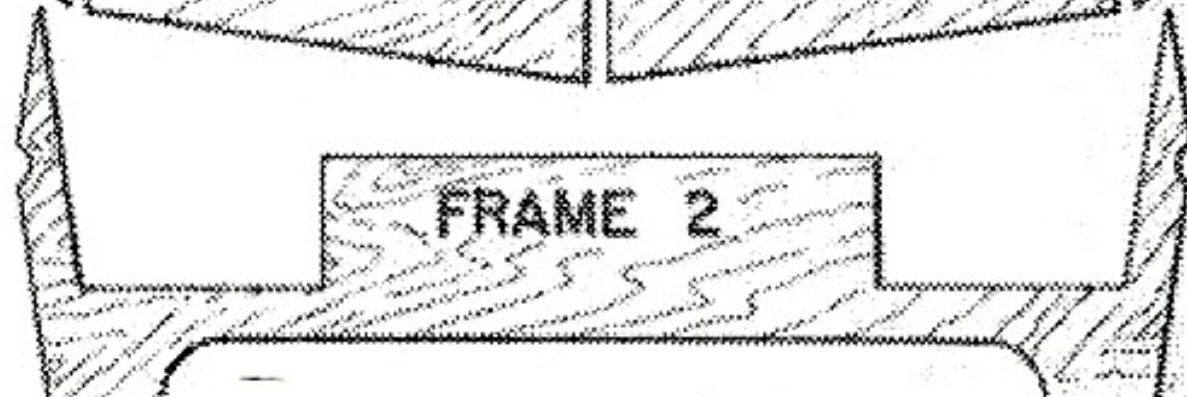
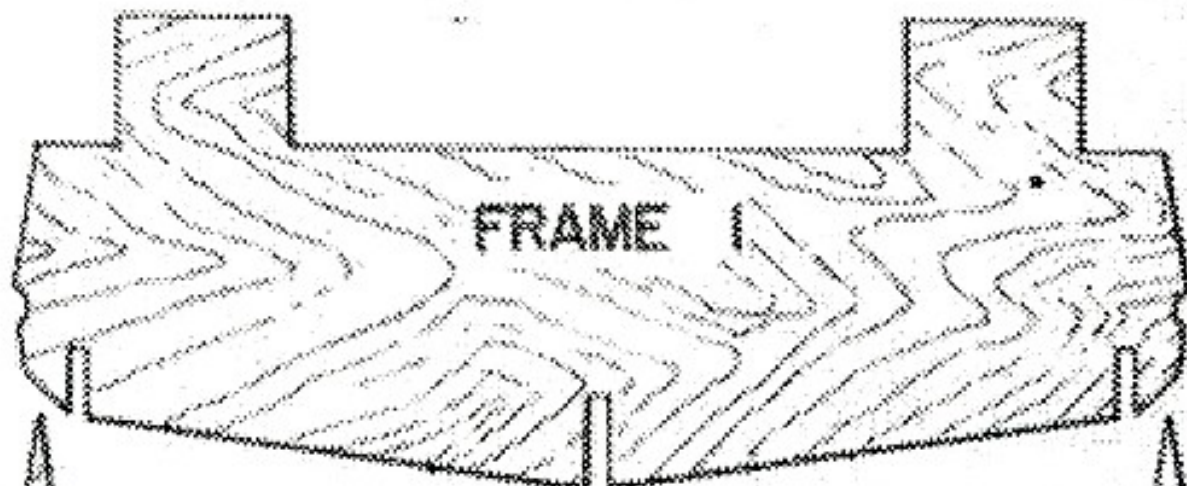
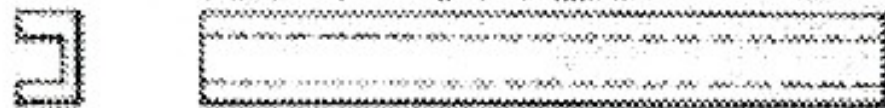
3/4" WOOD DOWEL



WINCH DETAIL
WOOD LAMINATION



SHAFT COVER

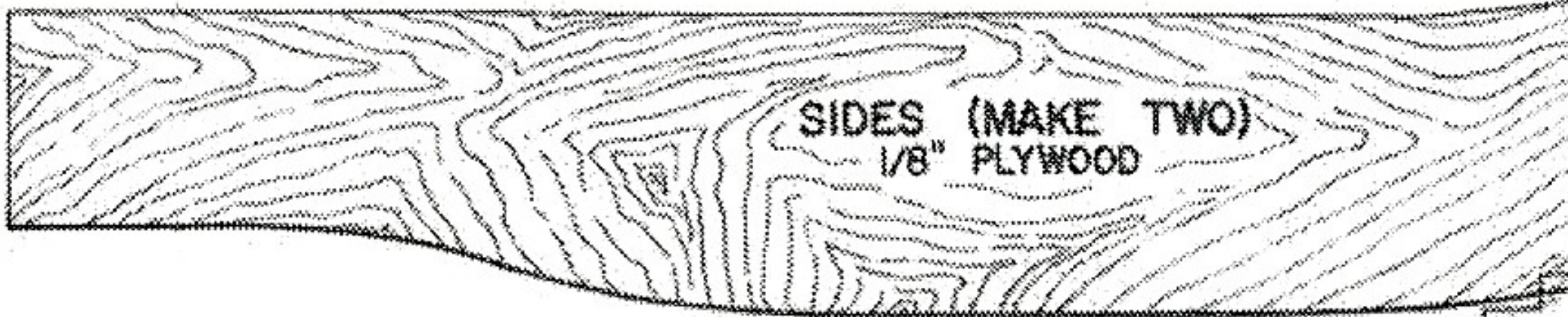





CHINE RIB

FRAME 2

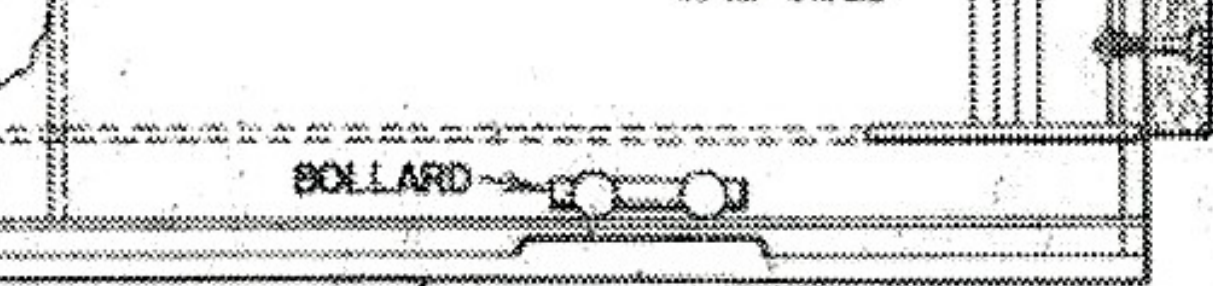
3/8" DIA. DOWEL



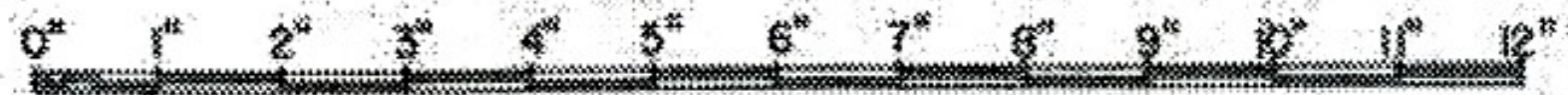
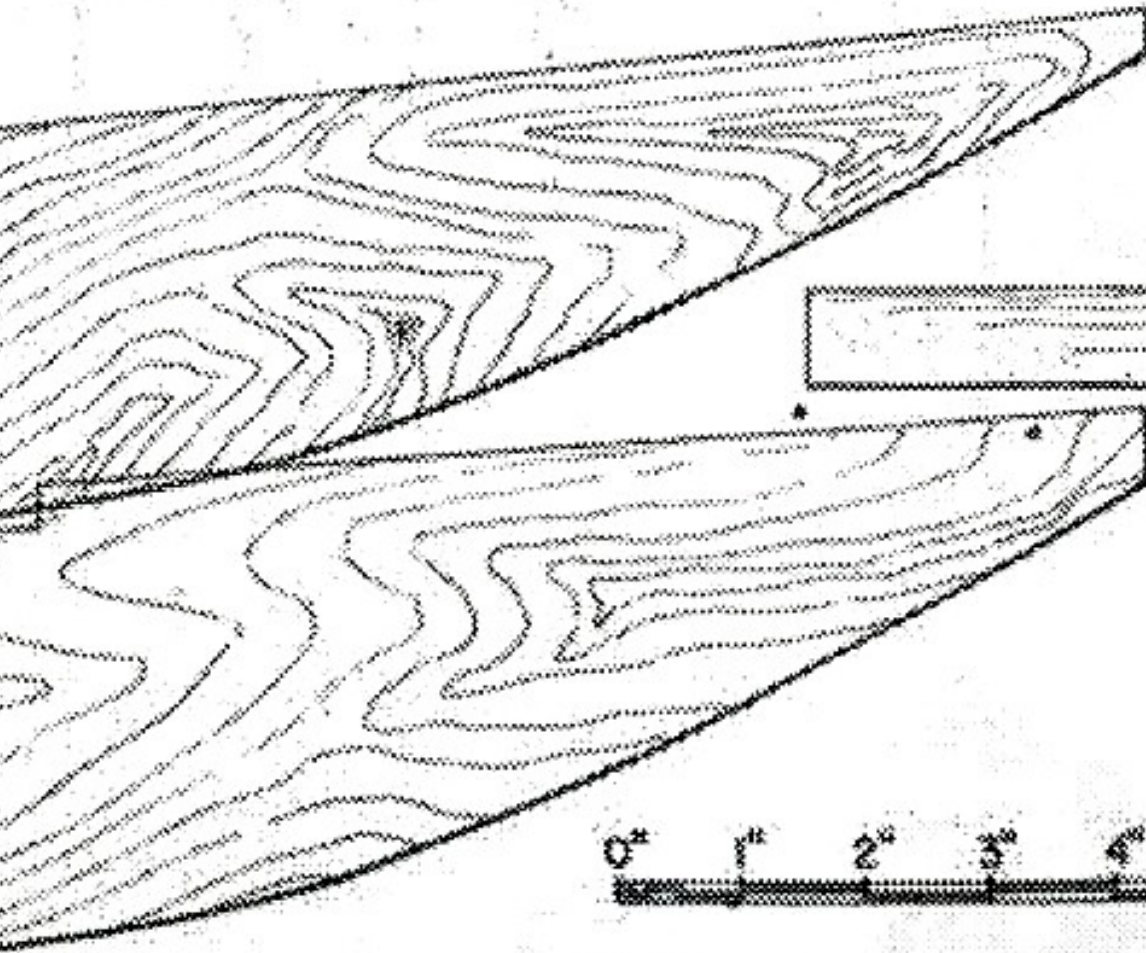
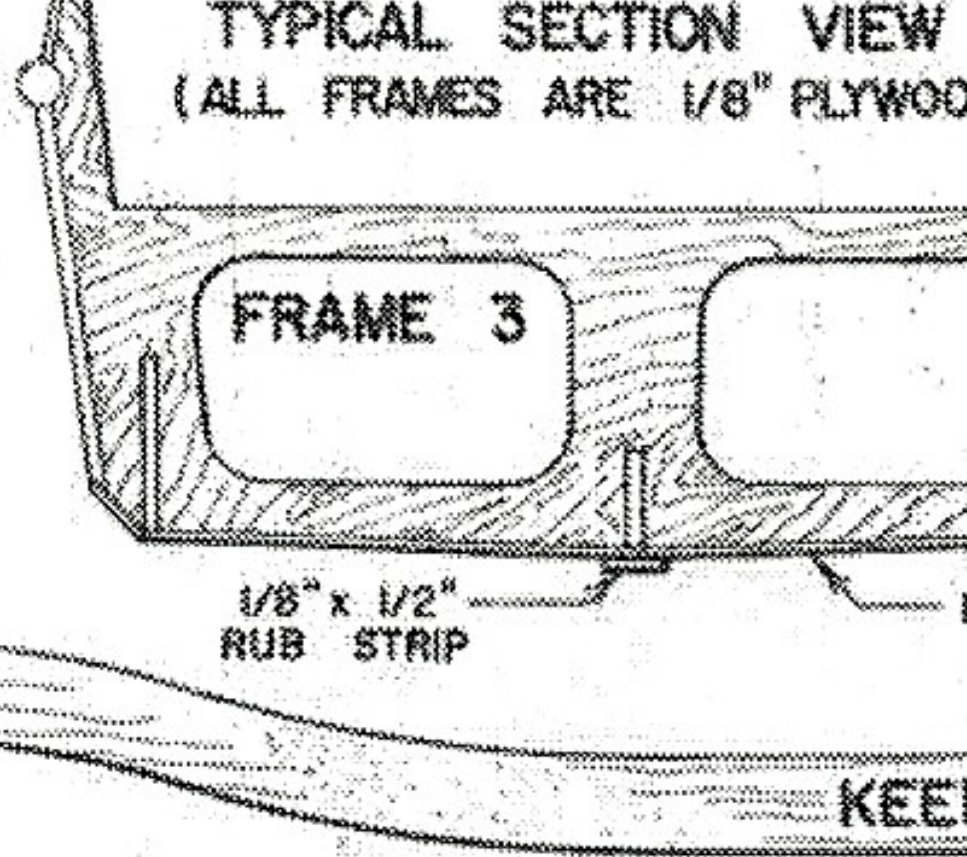
SIDES (MAKE TWO)
1/8" PLYWOOD

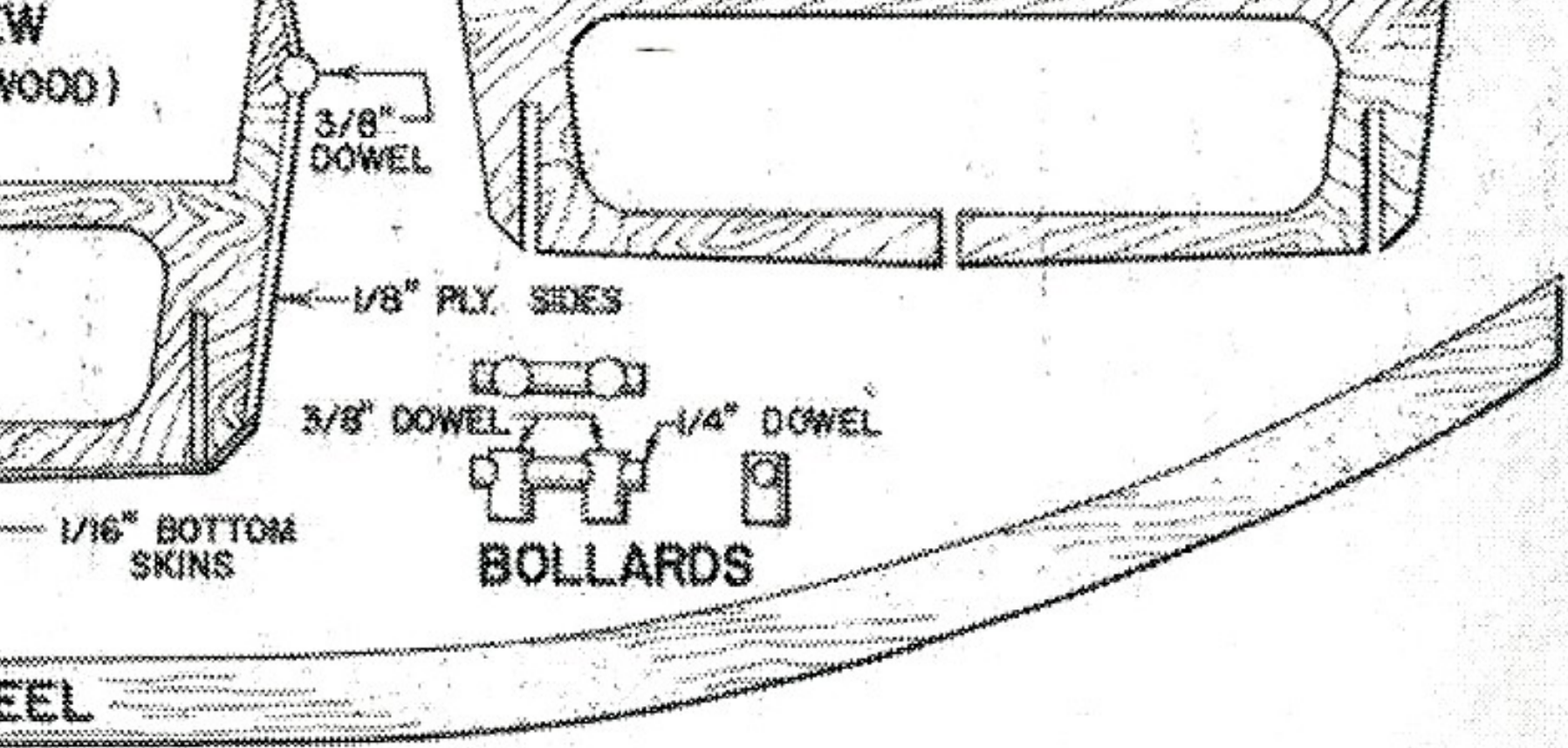


CHINE RIBS (MAKE TWO)
1/8" PLYWOOD



TYPICAL SECTION VIEW
(ALL FRAMES ARE 1/8" PLYWOOD)





MISURI

A SMALL ONE MAN PUSHBOAT

DESIGNED AND PLANS DRAWN BY GERALD JULIAN

SCALE -- 3/4" = 1'-0"